

| | B | C | D | E |
|-----|--|------------------------|------------------------|-------------|
| 1 | 1620 Single Hung - Bill of Materials | Updated 3/19/20 | | |
| 2 | | | | |
| 3 | Description | MIWD Part No. | Vendor Part No. | Rev. |
| 4 | Mainframe: | | | |
| 5 | Finless: | | | |
| 6 | Mainframe Head/Jamb, Finless, 240" - Almond | V010080A | V-1008 | - |
| 7 | Mainframe Head/Jamb, Finless, 240" - White | V010080C | V-1008 | - |
| 8 | Mainframe Head/Jamb, Finless, 240" - Clay | V010080D | V-1008 | - |
| 15 | Mainframe Head/Jamb, Finless 240" - Bronze (Ext), White (Int) Open Accessory Groove | V010080B | V-1008 | - |
| 16 | Mainframe Head/Jamb, Finless 240" - Black (Ext), White (Int) Open Accessory Groove | V010080L | V-1008 | - |
| 17 | | | | |
| 18 | Mainframe Sill, Finless, w/ 187"x240" Weatherstrip, Gray, 240" - Almond | V010130A | V-1013 | - |
| 19 | Mainframe Sill, Finless, w/ 187"x240" Weatherstrip, White, 240" - White | V010130C | V-1013 | - |
| 20 | Mainframe Sill, Finless, w/ 187"x240" Weatherstrip, Gray, 240" - Clay | V010130D | V-1013 | - |
| 27 | Mainframe Sill, Finless, w/ 187"x240" Weatherstrip, White 240" - Bronze (Ext), White (Int) Open Acc Groove | V010130B | V-1013 | - |
| 28 | Mainframe Sill, Finless, w/ 187"x240" Weatherstrip, White 240" - Black (Ext), White (Int) Open Acc Groove | V010130L | V-1013 | - |
| 29 | | | | |
| 30 | Fin: | | | |
| 31 | Mainframe Head/Jamb, Fin, 240" - Almond | V010070A | V-1007 | - |
| 32 | Mainframe Head/Jamb, Fin, 240" - White | V010070C | V-1007 | - |
| 33 | Mainframe Head/Jamb, Fin, 240" - Clay | V010070D | V-1007 | - |
| 40 | Mainframe Head/Jamb, Fin, 240" - Bronze (Ext), White (Int) Open Accessory Groove | V010070B | V-1007 | - |
| 41 | Mainframe Head/Jamb, Fin, 240" - Black (Ext), White (Int) Open Accessory Groove | V010070L | V-1008 | - |
| 42 | | | | |
| 43 | Mainframe Sill, Fin, w/ 187"x240" Weatherstrip, Gray, 240" - Almond | V010120A | V-1012 | - |
| 44 | Mainframe Sill, Fin, w/ 187"x240" Weatherstrip, White, 240" - White | V010120C | V-1012 | - |
| 45 | Mainframe Sill, Fin, w/ 187"x240" Weatherstrip, Gray, 240" - Clay | V010120D | V-1012 | - |
| 52 | Mainframe Sill, Fin, w/ 187"x240" Weatherstrip, White 240" - Bronze (Ext), White (Int) Open Acc Groove | V010120B | V-1012 | - |
| 53 | Mainframe Sill, Fin, w/ 187"x240" Weatherstrip, White 240" - Black (Ext), White (Int) Open Acc Groove | V010120L | V-1012 | - |
| 54 | | | | |
| 55 | Fin w/J: (NOT RELEASED) | | | |
| 77 | | | | |
| 78 | Flange: | | | |
| 79 | Mainframe Head/Jamb, Flange, 240" - Almond | V010100A | V-1010 | - |
| 80 | Mainframe Head/Jamb, Flange, 240" - White | V010100C | V-1010 | - |
| 81 | Mainframe Head/Jamb, Flange, 240" - Clay | V010100D | V-1010 | - |
| 88 | Mainframe Head/Jamb, Flange, 240" - Bronze (Ext), White (Int) Veka Filled Accessory Groove | V010100B | V-1010 | - |
| 89 | Mainframe Head/Jamb, Flange, 240" - Black (Ext), White (Int) Veka Filled Accessory Groove | V010100L | V-1010 | - |
| 90 | | | | |
| 91 | Mainframe Sill, Flange, w/ 187"x240" Weatherstrip, Gray, 240" - Almond | V010150A | V-1015 | - |
| 92 | Mainframe Sill, Flange, w/ 187"x240" Weatherstrip, White, 240" - White | V010150C | V-1015 | - |
| 93 | Mainframe Sill, Flange, w/ 187"x240" Weatherstrip, Gray, 240" - Clay | V010150A | V-1015 | - |
| 100 | Mainframe Sill, Flange, w/ 187"x240" Weatherstrip, White 240" - Bronze (Ext), White (Int) Open Acc Groove | V010150B | V-1015 | - |
| 101 | Mainframe Sill, Flange, w/ 187"x240" Weatherstrip, White 240" - Black (Ext), White (Int) Open Acc Groove | V010150L | V-1015 | - |
| 102 | | | | |
| 103 | Accessory Groove Filler, Mull, 240" MI Almond | V649002A | GV6490A240 | |
| 104 | Accessory Groove Filler, Mull, 240" MI White | V649002C | GV6490C240 | |
| 105 | Accessory Groove Filler, Mull, 240" Clay | V649002D | GV6490D240 | |
| 106 | Accessory Groove Filler, Mull, 240" Bronze | V649002B | | |
| 107 | Accessory Groove Filler, Mull, 240" Black | V649002L | | |
| 108 | | | | |
| 109 | Balance, 3 LB, Inverted Coil Single, 150/BX | BL700003 | 24C0009103 | |
| 110 | Balance, 4 LB, Inverted Coil Single, 150/BX | BL700004 | 24C0009104 | |
| 111 | Balance, 5 LB, Inverted Coil Single, 150/BX | BL700005 | 24C0009105 | |
| 112 | Balance, 6 LB, Inverted Coil Single, 150/BX | BL700006 | 24C0009106 | |
| 113 | Balance, 7 LB, Inverted Coil Single, 150/BX | BL700007 | 24C0009107 | |
| 114 | Balance, 8 LB, Inverted Coil Single, 150/BX | BL700008 | 24C0009108 | |
| 115 | Balance, 9 LB, Inverted Coil Single, 150/BX | BL700009 | 24C0009109 | |
| 116 | Balance, 10 LB, Inverted Coil Single, 150/BX | BL700010 | 24C0009110 | |
| 117 | Balance, 11 LB, Inverted Coil Single, 100/BX | BL700111 | 24C0009211 | |
| 118 | Balance, 11 LB, Inverted Coil Double, 100/BX | BL500348 | 24C0009211 | |
| 119 | Balance, 12 LB, Inverted Coil Double, 100/BX | BL700012 | 24C0009212 | |
| 120 | Balance, 13 LB, Inverted Coil Double, 100/BX | BL700013 | 24C0009213 | |
| 121 | Balance, 14 LB, Inverted Coil Double, 100/BX | BL700014 | 24C0009214 | |
| 122 | Balance, 15 LB, Inverted Coil Double, 100/BX | BL700015 | 24C0009215 | |
| 123 | Balance, 16 LB, Inverted Coil Double, 100/BX | BL700016 | 24C0009216 | |
| 124 | Balance, 17 LB, Inverted Coil Double, 100/BX | BL700017 | 24C0009217 | |
| 125 | Balance, 18 LB, Inverted Coil Double, 100/BX | BL700018 | 24C0009218 | |
| 126 | Balance, 19 LB, Inverted Coil Double, 100/BX | BL700019 | 24C0009219 | |
| 127 | Balance, 20 LB, Inverted Coil Double, 100/BX | BL700020 | 24C0009220 | |
| 128 | Balance, 21 LB, Inverted Coil Triple, 50/BX | BL700021 | 24C0009321 | |
| 129 | Balance, 22 LB, Inverted Coil Triple, 50/BX | BL700022 | 24C0009322 | |
| 130 | Balance, 23 LB, Inverted Coil Triple, 50/BX | BL700023 | 24C0009323 | |
| 131 | Balance, 24 LB, Inverted Coil Triple, 50/BX | BL700024 | 24C0009324 | |
| 132 | Balance, 25 LB, Inverted Coil Triple, 50/BX | BL700025 | 24C0009325 | |
| 133 | Balance, 26 LB, Inverted Coil Triple, 50/BX | BL700026 | 24C0009326 | |
| 134 | Balance, 27 LB, Inverted Coil Triple, 50/BX | BL700027 | 24C0009327 | |
| 135 | Balance, 28 LB, Inverted Coil Triple, 50/BX | BL700028 | 24C0009328 | |
| 136 | Balance, 29 LB, Inverted Coil Triple, 50/BX | BL700029 | 24C0009329 | |
| 137 | Balance, 30 LB, Inverted Coil Triple, 50/BX | BL700030 | 24C0009330 | |
| 138 | | | | |
| 139 | Balance Clip Screw, #8 x 5/8" PFH, Steel 410 AB Mill | FS001270 | | - |
| 140 | | | | |
| 141 | Dust Pad, 1" Die Cut 1.7 LB Poly Foam (White) | WS30280C | | - |
| 142 | | | | |
| 143 | Vent Stop, Push Button - Almond | L000091A | 1760_109 | - |
| 144 | Vent Stop, Push Button - White | L000091C | 1760_005 | - |
| 145 | Vent Stop, Push Button - Clay | L000091D | 1760_005 | - |
| 147 | | | | |
| 148 | Operable Screen Track No Leg 180" Vertical (Aluminum) Mill Wht WP .187x.210 | M2341000 | M-2341 | |
| 149 | Operable Screen Track No Leg 180" Vertical (Aluminum) White Wht WP .187x.210 | M234100A | M-2341 | |
| 150 | Operable Screen Track No Leg 180" Vertical (Aluminum) Almond Gry WP .187x.210 | M234100C | M-2341 | |
| 151 | Operable Screen Track No Leg 180" Vertical (Aluminum) Clay Gry WP .187x.210 | M234100D | M-2341 | |
| 152 | Operable Screen Track No Leg 180" Vertical (Aluminum) Black Wht WP .187x.210 | M234100L | M-2341 | |
| 153 | Operable Screen Track No Leg 180" Vertical (Aluminum) Bronze Wht WP .187x.210 | M234100B | M-2341 | |
| 154 | | | | |
| 155 | | | | |
| 156 | CHS I Jamb (Optional) | | | |
| 157 | CHS Intermediate Jamb, 240" - Almond | V101700A | V-1017 | - |
| 158 | CHS Intermediate Jamb, 240" - White | V101700C | V-1017 | - |
| 159 | CHS Intermediate Jamb, 240" - Clay | V101700D | V-1017 | - |
| 160 | CHS Intermediate Jamb, 240" - Black Ext Lami on White | V101700L | V-1017 | - |
| 161 | CHS Intermediate Jamb, 240" - Bronze, Ext Lami on White | V101700B | V-1017 | - |
| 162 | | | | |
| 163 | Balance Screw, #8-15 x 3/4" PFH, Zinc | FS001270 | | - |
| 164 | | | | |
| 165 | Dust Pad, 1" Die Cut 1.7 LB Poly Foam (White) | WS30280C | | - |
| 166 | | | | |
| 167 | Vent Stop, Push Button - Almond | L000091A | 1760_109 | - |

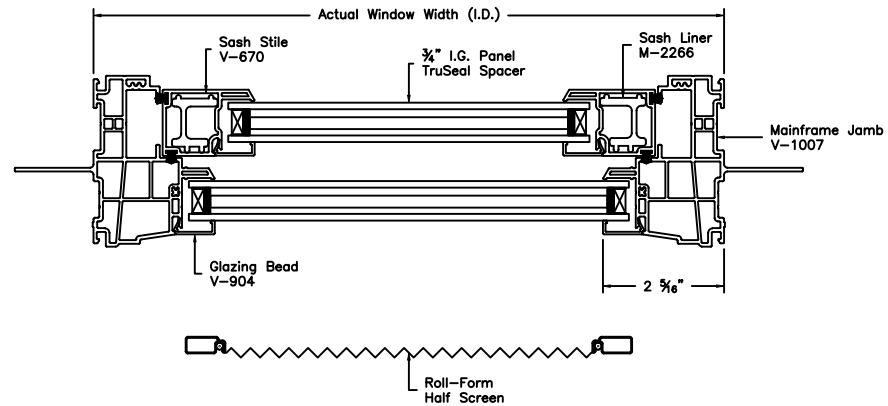
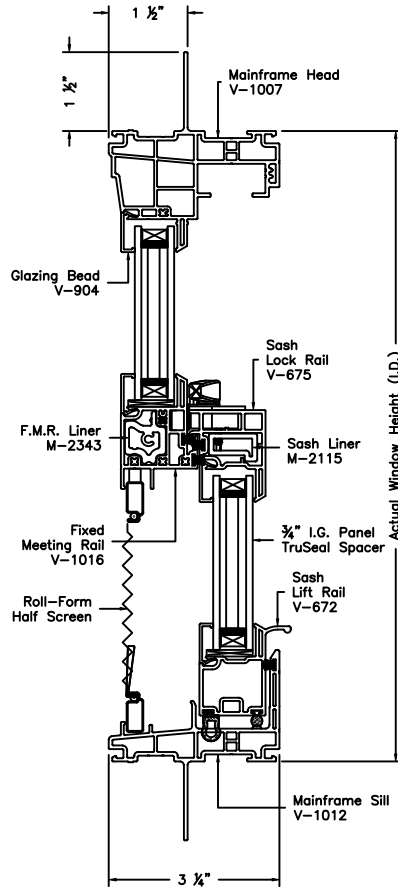
| | B | C | D | E |
|-----|---|------------------------|------------------------|-------------|
| 1 | 1620 Single Hung - Bill of Materials | Updated 3/19/20 | | |
| 2 | | | | |
| 3 | Description | MIWD Part No. | Vendor Part No. | Rev. |
| 168 | Vent Stop, Push Button - White | L000091C | 1760_005 | - |
| 169 | Vent Stop, Push Button - Clay | L000091D | 1760_005 | - |
| 170 | Vent Stop, Push Button - Brown | L000091X | 1760_202 | - |
| 171 | | | | |
| 172 | Foam Tape, 7/16" x 2 1/2" Jamb Gasket (Waiting on testing to confirm if needed) | | G-7162 | - |
| 173 | | | | |
| 174 | Fixed Meeting Rail: | | | |
| 175 | Fixed Meeting Rail, w/187"x210" Weatherstrip Gray, 240" - Almond | V101600A | V-1016 | |
| 176 | Fixed Meeting Rail, w/187"x210" Weatherstrip White, 240" - White | V101600C | V-1016 | |
| 177 | Fixed Meeting Rail, w/187"x210" Weatherstrip Gray, 240" - Clay | V101600D | V-1016 | |
| 184 | Fixed Meeting Rail, w/ 187"x210" Weatherstrip White, 240" - Bronze (Ext), White (Int) | V101600B | V-1016 | |
| 185 | Fixed Meeting Rail, w/ 187"x210" Weatherstrip White, 240" - Black (Ext), White (Int) | V101600L | V-1016 | |
| 186 | | | | |
| 187 | Attachment Screws #8 x 2 1/2" Vinyl HLD Truss HD 410 | FS000270 | | |
| 188 | | | | |
| 189 | Fixed Meeting Rail Aluminum Reinforcement | M2343000 | M-2343 | |
| 190 | | | | |
| 191 | | | | |
| 192 | Adjustable Keeper, Face Mount - Almond | K000200A | 8383.104 | - |
| 193 | Adjustable Keeper, Face Mount - White | K000200C | 8383.008 | - |
| 194 | Adjustable Keeper, Face Mount - Clay | K000200D | 8383.304 | - |
| 196 | | | | |
| 197 | Keeper Screw, #8 x 7/8" PFH, #6 Head, PFH, STL, Zinc, PLTD, S-DRL - Almond | FS00350A | - | - |
| 198 | Keeper Screw, #8 x 7/8" PFH, #6 Head, PFH, STL, Zinc, PLTD, S-DRL - White | FS00350C | - | - |
| 200 | Keeper Screw, #8 x 7/8" PFH, #6 Head, PFH, STL, Zinc, PLTD, S-DRL - Clay | FS00350D | - | - |
| 201 | | | | |
| 202 | Setting Blocks 1/8" x 7/8" x 7/8" for 7/8" and 3/4" IG's thickness (Standard) | MS100050 | | |
| 203 | Setting Block, 1/16" x 7/8" x 7/8" (If 1/8" Thick Is too Tight) | MS100030 | G062028K780GD | - |
| 204 | Setting Block, 3/32" x 7/8" x 7/8" (If 1/8" Thick Is Too Loose) | MS100040 | | |
| 205 | | | | |
| 206 | Glazing | | Pecora 896 | |
| 207 | | | | |
| 208 | Sealant | ? | | - |
| 209 | | | | |
| 210 | Top Glass : I.G. Unit, Thickness and Make-Up varies with option selected | | | - |
| 211 | | | | |
| 212 | Glazing Bead, 3/4" IG, 192" - Almond | V090400A | V-904 | - |
| 213 | Glazing Bead, 3/4" IG, 192" - White | V090400C | V-904 | - |
| 214 | Glazing Bead, 3/4" IG, 192" - Clay | V090400D | V-904 | - |
| 215 | Glazing Bead, 3/4" IG, 192" - Bronze Ext Lami on White | V090400B | V-904 | - |
| 216 | Glazing Bead, 3/4" IG, 192" - Black Ext Lami on White | V090400L | V-904 | - |
| 217 | | | | |
| 218 | Glazing Bead, 7/8" IG, 192" - Almond | V067600A | V-676 | D |
| 219 | Glazing Bead, 7/8" IG, 192" - White | V067600C | V-676 | D |
| 220 | Glazing Bead, 7/8" IG, 192" - Clay | V090400D | V-676 | - |
| 221 | Glazing Bead, 7/8" IG, 192" - Bronze Ext Lami on White | V067601B | V-676 | D |
| 222 | Glazing Bead, 7/8" IG, 192" - Black Ext Lami on White | V067601L | V-676 | - |
| 223 | | | | |
| 224 | | | | |
| 225 | Bottom Sash (Standard Sash): | | | |
| 226 | Bottom Sash, Top Rail, w/ 187"x240" Weatherstrip Gray, 192" - Almond | V067500A | V-675 | F |
| 227 | Bottom Sash, Top Rail, w/ 187"x240" Weatherstrip White, 192" - White | V067500C | V-675 | F |
| 228 | Bottom Sash, Top Rail, w/ 187"x240" Weatherstrip Gray, 192" - Clay | V067500D | V-675 | F |
| 235 | Bottom Sash, Top Rail, w/ 187"x240" Weatherstrip Gray, 192" - Bronze (Ext), White (Int) | V067503B | V-675 | F |
| 236 | Bottom Sash, Top Rail, w/ 187"x240" Weatherstrip Gray, 192" - Black (Ext), White (Int) | V067503L | V-675 | F |
| 237 | | | | |
| 238 | Lock Rail Liner - (Aluminum) Various lengths and part no. - part no. for 14" (Primary Reinf) | M2115000 | M-2115 | - |
| 239 | | | | |
| 242 | | | | |
| 243 | Bottom Sash, Bottom Rail, 192" - Almond | V067200A | V-672 | D |
| 244 | Bottom Sash, Bottom Rail, 192" - White | V067200C | V-672 | D |
| 245 | Bottom Sash, Bottom Rail, 192" - Clay | V067200D | V-672 | D |
| 252 | Bottom Sash, Bottom Rail, 192" - Bronze (Ext), White (Int) | V067203B | V-672 | D |
| 253 | Bottom Sash, Bottom Rail, 192" - Black (Ext), White (Int) | V067203L | V-672 | D |
| 254 | | | | |
| 255 | Bottom Sash, Bottom Rail, Interior Bulb Seal, .187 x .350 - Almond | MS20002A | 32087111891500 | - |
| 256 | Bottom Sash, Bottom Rail, Interior Bulb Seal, .187 x .350 - White | MS20002C | 32087112191500 | - |
| 257 | Bottom Sash, Bottom Rail, Interior Bulb Seal, .187 x .350 - Clay | MS20002D | G32087D | - |
| 258 | | | | |
| 259 | Bottom Sash, Bottom Rail, Exterior Offset Bulb Seal, .187 x .500 - Almond | MS30000A | 32324 | - |
| 260 | Bottom Sash, Bottom Rail, Exterior Offset Bulb Seal, .187 x .500 - White | MS30000C | 32324 | - |
| 261 | Bottom Sash, Bottom Rail, Exterior Offset Bulb Seal, .187 x .500 - Black | MS30000L | 32324 | - |
| 262 | Bottom Sash, Bottom Rail, Exterior Offset Bulb Seal, .187 x .500 - Clay | MS30000D | 32324 | - |
| 263 | | | | |
| 264 | Bottom Sash, Stile, w/ 187"x.240" Weatherstrip Gray, 192" - Almond | V067000A | V-670 | B |
| 265 | Bottom Sash, Stile, w/ 187"x.240" Weatherstrip White, 192" - White | V067000C | V-670 | B |
| 266 | Bottom Sash, Stile, w/ 187"x.240" Weatherstrip Gray, 192" - Clay | V067000D | V-670 | B |
| 273 | Bottom Sash, Stile, w/ 187"x.240" Weatherstrip Gray, 192" - Bronze (Ext), White (Int) | V067002B | V-670 | B |
| 274 | Bottom Sash, Stile, w/ 187"x240" Weatherstrip Gray, 192" - Black (Ext), White (Int) | V067003L | V-670 | B |
| 275 | | | | |
| 276 | Stile Reinforcement - (Aluminum) Various lengths and part no. - part no. for 14" (Primary Reinf) | M2266000 | M-2266 | - |
| 277 | Sash Stile Reinforcement Screw #8 PFH 1" | FS005750 | | |
| 278 | | | | |
| 279 | Two Tone Pyle Dust Plug, 5/8", Kiss Cut - White / Gray | WS400000 | | - |
| 280 | | | | |
| 281 | Lock, Standard: | | | |
| 282 | Hybrid Recessed Cam Lock Left - Almond | LL00068A | 98181-L.104 | - |
| 283 | Hybrid Recessed Cam Lock Left - White | LL00068C | 98181-L.008 | - |
| 285 | Hybrid Recessed Cam Lock Left - Clay | LL00068D | 98181-L | - |
| 286 | | | | |
| 287 | Hybrid Recessed Cam Lock Right - Almond | LR00068A | 98181-R.104 | |
| 288 | Hybrid Recessed Cam Lock Right - White | LR00068C | 98181-R.008 | |
| 290 | Hybrid Recessed Cam Lock Right - Clay | LR00068D | 98181-R | - |
| 291 | | | | |
| 292 | Lock, Window World Logo | | | |
| 293 | Lock, Hybrid, RH, Window World Logo MI Almond 400 BX | LR00072A | 98181WW-R.104 | |
| 294 | Lock, Hybrid, RH, Window World Logo MI White 400 BX | LR00072C | 98181WW-R.008 | |
| 295 | Lock, Hybrid, RH, Window World Logo MI Clay 400 BX | LR00072D | 98181WW-R.304 | |
| 297 | Lock, Hybrid, LH, Window World Logo MI Almond 400 BX | LL00072A | 98181WW-L.104 | |
| 298 | Lock, Hybrid, LH, Window World Logo MI White 400 BX | LL00072C | 98181WW-L.008 | |
| 299 | Lock, Hybrid, RH, Window World Logo MI Clay 400 BX | LL00072D | 98181WW-L.304 | |
| 301 | | | | |
| 302 | Cam Lock Screw, #8 x 7/8" PFH, #6 Head, PFH, STL, Zinc, PLTD, S-DRL - Almond | FS00350A | - | - |
| 303 | Cam Lock Screw, #8 x 7/8" PFH, #6 Head, PFH, STL, Zinc, PLTD, S-DRL - White | FS00350C | - | - |
| 304 | Cam Lock Screw, #8 x 7/8" PFH, #6 Head, PFH, STL, Zinc, PLTD, S-DRL - Clay | FS00350D | - | - |
| 306 | | | | |

| | B | C | D | E |
|-----|---|------------------------|---------------------------|-------------|
| 1 | 1620 Single Hung - Bill of Materials | Updated 3/19/20 | | |
| 2 | | | | |
| 3 | Description | MIWD Part No. | Vendor Part No. | Rev. |
| 307 | Tilt-Latch, Left - Almond | TLL0104A | | - |
| 308 | Tilt-Latch, Left - White | TLL0104C | | - |
| 310 | Tilt-Latch, Left - Clay | TLL0104D | | - |
| 311 | | | | |
| 312 | Tilt-Latch, Right - Almond | TLR0104A | | - |
| 313 | Tilt-Latch, Right - White | TLR0104C | | - |
| 315 | Tilt-Latch, Right - Clay | TLR0104D | | - |
| 316 | | | | |
| 317 | Pivot Bar, Locking Head, Offset, Zinc | HD100046 | | - |
| 318 | | | | |
| 319 | Pivot Bar Screw, #6-32 5/16" PPH Washer Head Type F | FS000080 | | - |
| 320 | | | | |
| 321 | Glazing | - | 896 TBS | - |
| 322 | | | | |
| 323 | Setting Blocks 1/8" x 7/8" x 7/8" for 7/8" and 3/4" IG's thickness (Standard) | MS100050 | | - |
| 324 | Setting Block, 1/16" x 7/8" x 7/8" (If 1/8" Thick Is too Tight) | MS100030 | G062028K780GD | - |
| 325 | Setting Block, 3/32" x 7/8" x 7/8" (If 1/8" Thick Is Too Loose) | MS100040 | | - |
| 326 | | | | |
| 327 | Glass Panel, 3/4" Overall IG, Make-up Varies with Options | - | - | - |
| 328 | Glass Panel, 7/8" Overall IG, Make-up Varies with Options | - | - | - |
| 329 | | | | |
| 330 | Glazing Bead, 3/4" IG, 192" - Almond | V090400A | V-904 | - |
| 331 | Glazing Bead, 3/4" IG, 192" - White | V090400C | V-904 | - |
| 332 | Glazing Bead, 3/4" IG, 192" - Clay | V090400D | V-904 | - |
| 333 | Glazing Bead, 3/4" IG, 192" - Bronze Ext Lami on White | V090400B | V-904 | - |
| 334 | Glazing Bead, 3/4" IG, 192" - Black Ext Lami on White | V090400L | V-904 | - |
| 335 | | | | |
| 336 | Glazing Bead, 7/8" IG, 192" - Almond | V067600A | V-676 | D |
| 337 | Glazing Bead, 7/8" IG, 192" - White | V067600C | V-676 | D |
| 338 | Glazing Bead, 7/8" IG, 192" - Clay | V090400D | V-676 | - |
| 339 | Glazing Bead, 7/8" IG, 192" - Bronze Ext Lami on White | V067601B | V-676 | D |
| 340 | Glazing Bead, 7/8" IG, 192" - Black Ext Lami on White | V067601L | V-676 | - |
| 341 | | | | |
| 342 | Roll Form Half Screen (Standard): | | | |
| 343 | Screen Frame - White | SC30003C | A-105-6C | |
| 344 | Screen Frame - Almond | SC30003A | A-105-6A | |
| 345 | Screen Frame - Bronze | SC30003B | A-105-6B | |
| 346 | Screen Frame - Clay | SC30003D | A-105-6B | |
| 347 | Screen Frame - Black | SC30003L | A-105-6B | |
| 348 | | | | |
| 349 | Screen Corner Key Right Dimple - White | IM10011M | AI205MOCDMPR_200205066501 | |
| 350 | Screen Corner Key Right Dimple - Almond | IM10007K | AI205KDMPR | |
| 351 | Screen Corner Key Right Dimple - Dark Bronze | IM10011B | AI205DBDMPL | |
| 352 | Screen Corner Key Right Dimple - Black | IM10011L | | |
| 353 | Screen Corner Key Right Dimple - Clay | IM10011D | AI205LWBDMPR | |
| 354 | | | | |
| 355 | Screen Corner Key Left Dimple - White | IM10010M | AI205MOCDMPL_200205066501 | |
| 356 | Screen Corner Key Left Dimple - Almond | IM10006K | AI205KDMPL | |
| 357 | Screen Corner Key Left Dimple - Dark Bronze | IM10010B | AI205DBDMPL | |
| 358 | Screen Corner Key Left Dimple - Black | IM10010L | | |
| 359 | Screen Corner Key Left Dimple - Clay | IM10010D | AI205LWBDMPL | |
| 360 | | | | |
| 361 | Screen Corner Key - White | IM10009M | AI205PMOC | |
| 362 | Screen Corner Key - Almond | IM10010K | AI205PK | |
| 363 | Screen Corner Key - Dark Bronze | IM10009B | AI205P-DB | |
| 364 | Screen Corner Key - Black | IM10009L | | |
| 365 | Screen Corner Key - Clay | IM10009D | AI205P-LWB | |
| 366 | | | | |
| 367 | Finger Pull - Clear | IM100830 | AI34270D00C32 | |
| 368 | | | | |
| 369 | Leaf Spring, Stainless Steel, 3" | HD002380 | 402A402G402 | - |
| 370 | | | | |
| 371 | Screen Mesh | Varies | Varies | - |
| 372 | | | | |
| 373 | Screen Spline, Solid Foam, 0.140" Dia | SC60140L | 1406000-1-SP | - |
| 374 | | | | |
| 375 | Screen Warning Label | LB000003 | GX7166 | - |
| 376 | | | | |
| 377 | Grids: | | | |
| 378 | Grid, 5/8" Flat, 152" - Almond | GD22014A | - | - |
| 379 | Grid, 5/8" Flat, 152" - White | GD22014C | - | - |
| 388 | Grid, 5/8" Flat, 152" - Clay | GD22014D | - | - |
| 389 | Grid, 5/8" Flat, Two-Tone, 152" - Bronze (Ext), White (Int) | GD20423C | 31658 | - |
| 390 | Grid, 5/8" Flat, Two-Tone, 152" - Black (Ext), White (Int) | GD20423L | | - |
| 391 | | | | |
| 392 | Clip, 5/8" Flat, Grid, Concealed, Cross | IM200000 | GI165 | - |
| 393 | | | | |
| 394 | Clip, Grid Lock, End, 3/16" x 5/8" x 1/2" | IM20009G | 316-50GL-580 | - |
| 395 | Clip, Grid Lock, End, 3/16" x 5/8" x 1/4" (Triple) | HD00607L | 40025GL580 | - |
| 396 | Clip, Grid Lock, End, 3/16" x 5/8" x 3/16" (Triple) | HD00608L | 40018GL580 | - |
| 397 | Pin, Grid, End, 3/16" x 5/8" x 11/16" (7/8" I.G.) | HD00170G | 316-62GL-580 | - |
| 398 | | | | |
| 399 | | | | |
| 400 | Clip, Grid Lock, End, 3/16" x 13/16" x 7/16" | HD00265G | 330-43GL-340 | - |
| 401 | Clip, Grid Lock, End, 3/16" x 3/4" x 1/4" (Triple) | HD00605L | 43025GL340 | - |
| 402 | Pin, Grid, End, 3/16" x 3/4" or 3/16" x 13/16" (7/8" I.G.) | HD00161G | 33062GL340 | - |
| 403 | | | | |
| 404 | Grid Internal Spacer (GBG) 3/16" x 3/4" .024 Flat 152" - Almond | GD22013A | | |
| 405 | Grid Internal Spacer (GBG) 3/16" x 3/4" .024 Flat 152" - White | GD22013C | | |
| 406 | Grid Internal Spacer (GBG) 3/16" x 3/4" .024 Flat 152" - Clay | GD22013D | | |
| 407 | Grid Internal Spacer (GBG) 3/16" x 3/4" .024 Flat 152" - Bronze | GD22011B | | |
| 408 | Grid Internal Spacer (GBG) 3/16" x 3/4" .024 Flat 152" - Black (NOT SET UP YET) Looking to Use Bronze G | GD22011L | | |
| 409 | | | | |
| 410 | Grid, 5.5mm x 11/16" Contour, 152" - Almond | GD21000A | EDA5.518T-05A | - |
| 411 | Grid, 5.5mm x 11/16" Contour, 152" - White | GD21000C | EDA5.518AW-05A | - |
| 412 | Grid, 5.5mm x 11/16" Contour, 152" - Clay | GD21000D | | - |
| 420 | Grid, 5.5mm x 11/16" Contour, Laminate, 152" - Bronze (Ext), White (Int) | GD21000Q | EDA5.518TT | - |
| 421 | Grid, 5.5mm x 11/16" Contour, Laminate, 152" - Black (Ext), White (Int) | GDP210CL | EDA5.518TT | - |
| 422 | | | | |
| 423 | Muntin, Joiner, Fish Mouth, Part A, 5.5mm x 11/16" | HD402060 | DDE5.5AFMA-1 | - |
| 424 | Muntin, Joiner, Fish Mouth, Part B, 5.5mm x 11/16" | HD402061 | DDE5.5AFMB-1 | - |
| 425 | | | | |
| 426 | Clip, Grid Lock, End, 5.5mm x 18mm x 1/2" | HD001962 | 380-50GL-180 | - |
| 427 | | | | |
| 428 | "OG" Sculptured Grid 1/8" x 1 1/8" - Almond | GD22070A | | |
| 429 | "OG" Sculptured Grid 1/8" x 1 1/8" - White | GD22070C | | |

| | B | C | D | E |
|-----|---|------------------------|------------------------|-------------|
| 1 | 1620 Single Hung - Bill of Materials | Updated 3/19/20 | | |
| 2 | | | | |
| 3 | Description | MIWD Part No. | Vendor Part No. | Rev. |
| 430 | "OG" Sculptured Grid 1/8" x 1 1/8" - Clay | GD22070D | | |
| 431 | "OG" Sculptured Grid 1/8" x 1 1/8" - Bronze | GD22070B | | |
| 432 | "OG" Sculptured Grid 1/8" x 1 1/8" - Black | GD22070L | | |
| 433 | | | | |
| 434 | 2" Simulated Meeting Rail - White | GD20800C | | |
| 435 | 2" Simulated Meeting Rail - Almond | GD20800A | | |
| 436 | 2" Simulated Meeting Rail - Clay | GD20800D | | |
| 437 | 2" Simulated Meeting Rail - Bronze | GD20800B | | |
| 438 | 2" Simulated Meeting Rail - Black | GD20800L | | |
| 439 | | | | |
| 440 | Miscellaneous Accessories: | | | |
| 441 | | | | |
| 442 | Snap-In J-Channel, 192" - Almond | V070400A | V-704 | A |
| 443 | Snap-In J-Channel, 192" - White | V070400C | V-704 | A |
| 444 | Snap-In J-Channel, 192" - Clay | V070400D | V-704 | A |
| 445 | | | | |
| 446 | Head Expander, 1", 192" - Almond | V000100A | V-001 | - |
| 447 | Head Expander, 1", 192" - White | V000100C | V-001 | - |
| 448 | Head Expander, 1", 192" - Clay | V000100D | V-001 | - |
| 455 | Head Expander, 1", 192" - Bronze (Ext), White (Int) | V000105B | V-001 | - |
| 456 | Head Expander, 1", 192" - Black (Ext), White (Int) | V000100L | V-001 | - |
| 457 | | | | |
| 458 | Sill Angle, 192" - Almond | V727602A | V-7276 | - |
| 459 | Sill Angle, 192" - White | V727602C | V-7276 | - |
| 460 | Sill Angle, 192" - Bronze (Ext), White (Int) | V027600B | V-7276 | - |
| 461 | Sill Angle, 192" - Clay | V727602D | V-7276 | - |
| 462 | Sill Angle, 192" - Black (Ext), White (Int) | V027600L | V-7276 | - |
| 463 | | | | |
| 464 | Mullions: | | | |
| 465 | Standard Joiner Strip: | | | |
| 466 | Joiner Strip, Vinyl, 192" - Almond | V846301A | GV8463A192 | - |
| 467 | Joiner Strip, Vinyl, 192" - White | V846301C | GV8463C192 | - |
| 468 | Joiner Strip, Vinyl, 192" - Clay | V846301D | GV8463D192 | - |
| 472 | Joiner Strip, Vinyl, 192" - Bronze Ext Lami, | V846302B | GV8463CQ192 | - |
| 473 | Joiner Strip, Vinyl, 192" - Black Ext Lami, | V846302L | GV8463CQ192 | - |
| 474 | | | | |
| 475 | Foam Tape, Mulling, 1/8" x 2-3/4", Roll, Double-Sided Adhesive | MS300380 | - | - |
| 476 | | | | |
| 477 | Structural 1-1/8" Mullion: | | | |
| 478 | M2285 1-1/8" Structural Mullion 188" - Almond | M228503A | | |
| 479 | M2285 1-1/8" Structural Mullion 188" - White | M228503C | | |
| 480 | M2285 1-1/8" Structural Mullion 188" - Clay | M228503D | | |
| 481 | M2285-1/8" Structural Mullion 188" - Bronze (Painted) | M228503B | | |
| 482 | M2285 1-1/8" Structural Mullion 188" - Black (Painted) | M228503L | | |
| 483 | | | | |
| 484 | M-2304 Interior Mullion (Mill) | M2304000 | | - |
| 485 | #10 x 3/4" PPH Self Taping Screw | FS001700 | | |
| 486 | Interior Mullion Cover White | V093000C | V-930 | - |
| 487 | Interior Mullion Cover Almond | V093000A | V-930 | - |
| 488 | Interior Mullion Cover Clay | V093000D | V-930 | - |
| 489 | | | | |
| 490 | Vertical Mullion Clip (Aluminum) | HD004060 | | - |
| 491 | Vertical Mullion Clip For Masonry (Aluminum) | HD004070 | | - |
| 492 | Horizontal Mullion Clip (Stamped Steel) | MT000022 | | - |
| 493 | | | | |
| 494 | End Cap Block Off | HD402040 | | - |
| 495 | End Cap For Mull Clip | HD402030 | | - |
| 496 | #8 x 3/8" PFH Sheet Metal Screw | FS000660 | | - |
| 497 | | | | |
| 498 | 3" x 3" Butal sealing pad | MS001530 | | |
| 499 | End Cap Fin w J Channel (White) | IM20023C | | |
| 500 | End Cap Fin w J Channel (Almond) | IM20023A | | |
| 501 | End Cap Fin w J Channel (Clay) | IM20023D | | |
| 502 | | | | |
| 503 | Flange Mullion: | | | |
| 504 | Mull, HP, Aluminum, Vertical / Horizontal, 180" - Almond | M230000A | M-2300 | - |
| 505 | Mull, HP, Aluminum, Vertical / Horizontal, 180" - White | M230000C | M-2300 | - |
| 506 | Mull, HP, Aluminum, Vertical / Horizontal, 180" - Clay | M230000D | M-2300 | - |
| 507 | Mull, HP, Aluminum, Vertical / Horizontal, 180" - Bronze Ext Lami / White Int | M230000B | M-2300 | - |
| 508 | Mull, HP, Aluminum, Vertical / Horizontal, 180" - Black Ext Lami / White Int | M230000L | M-2300 | - |
| 509 | | | | |
| 510 | Mull, HP, Aluminum, Horizontal, Twin / Triple, 180" - Almond | M230100A | M-2301 | - |
| 511 | Mull, HP, Aluminum, Horizontal, Twin / Triple, 180" - White | M230100C | M-2301 | - |
| 512 | Mull, HP, Aluminum, Horizontal, Twin / Triple, 180" - Clay | M230100D | M-2301 | - |
| 513 | Mull, HP, Aluminum, Horizontal, Twin / Triple, 180" - Bronze Ext Lami / White Int | M230100B | M-2301 | - |
| 514 | Mull, HP, Aluminum, Horizontal, Twin / Triple, 180" - Black Ext Lami / White Int | M230100L | M-2301 | - |
| 515 | | | | |
| 516 | Drip Cap, Fin, 192" - Almond | M228105A | M-2281 | A |
| 517 | Drip Cap, Fin, 192" - White | M228105C | M-2281 | A |
| 518 | Drip Cap, Fin, 192" - Clay | M228105D | M-2281 | A |
| 519 | Drip Cap, Fin, 192" - Dark Bronze | M228105B | M-2281 | A |
| 520 | Drip Cap, Fin, 192" - Black | M228105L | M-2281 | A |
| 521 | | | | |
| 522 | Drip Cap, Finless, 183" - Almond | M164300A | M1643A183 | A |
| 523 | Drip Cap, Finless, 183" - White | M164300C | M1643C183 | A |
| 524 | Drip Cap, Finless, 183" - Clay | M164300D | M1643C183 | A |
| 525 | Drip Cap, Finless, 183" - Dark Bronze | M164301B | M1643A183 | A |
| 526 | Drip Cap, Finless, 183" - Black | M164301L | M1643C183 | A |
| 527 | | | | |
| 528 | | | | |
| 529 | Optional Window Opening Control Device (W.O.C.D.): | | | |
| 530 | Window Opening Control Device, Snap-In - Almond | HD40130A | 1761VBG | - |
| 531 | Window Opening Control Device, Snap-In - White | HD40130C | 1761JEW | - |
| 532 | Window Opening Control Device, Snap-In - Clay | HD40130D | 1761 | - |
| 533 | | | | |
| 534 | Packaging: | | | |
| 535 | Label, Window Warning | LB000003 | GX7166 | - |
| 536 | | | | |
| 537 | Label, NFRC, 4" x 8", Thermal Transfer | LB000006 | 9916502G10317 | - |
| 538 | | | | |
| 539 | | | | |
| 540 | Label, Product (Misc.), 3" x 6", Shipping | LB000119 | 9916360 | - |
| 541 | | | | |
| 542 | Label, MIWD, 8 1/2" x 11", DH/NC, Backer | LB000700 | 29169 | - |
| 543 | Label, Window World, 8 1/2" x 11", Care and Cleaning on Back | LB000740 | 31559 | - |
| 544 | | | | |


| | B | C | D | E |
|-----|--|------------------------|------------------------|-------------|
| 1 | 1620 Single Hung - Bill of Materials | Updated 3/19/20 | | |
| 2 | | | | |
| 3 | Description | MIWD Part No. | Vendor Part No. | Rev. |
| 545 | | | | |
| 546 | Package Material, Honeycomb Strip, Small, 48" x 3" x 1", 1/2" Cell, Cookie Cut, 6" | PK000606 | - | - |
| 547 | Package Material, Honeycomb Strip, Large, 4" x 40" x 3-1/2", PSA, 1-Side | PK000008 | BCB1894 | - |
| 548 | | | | |

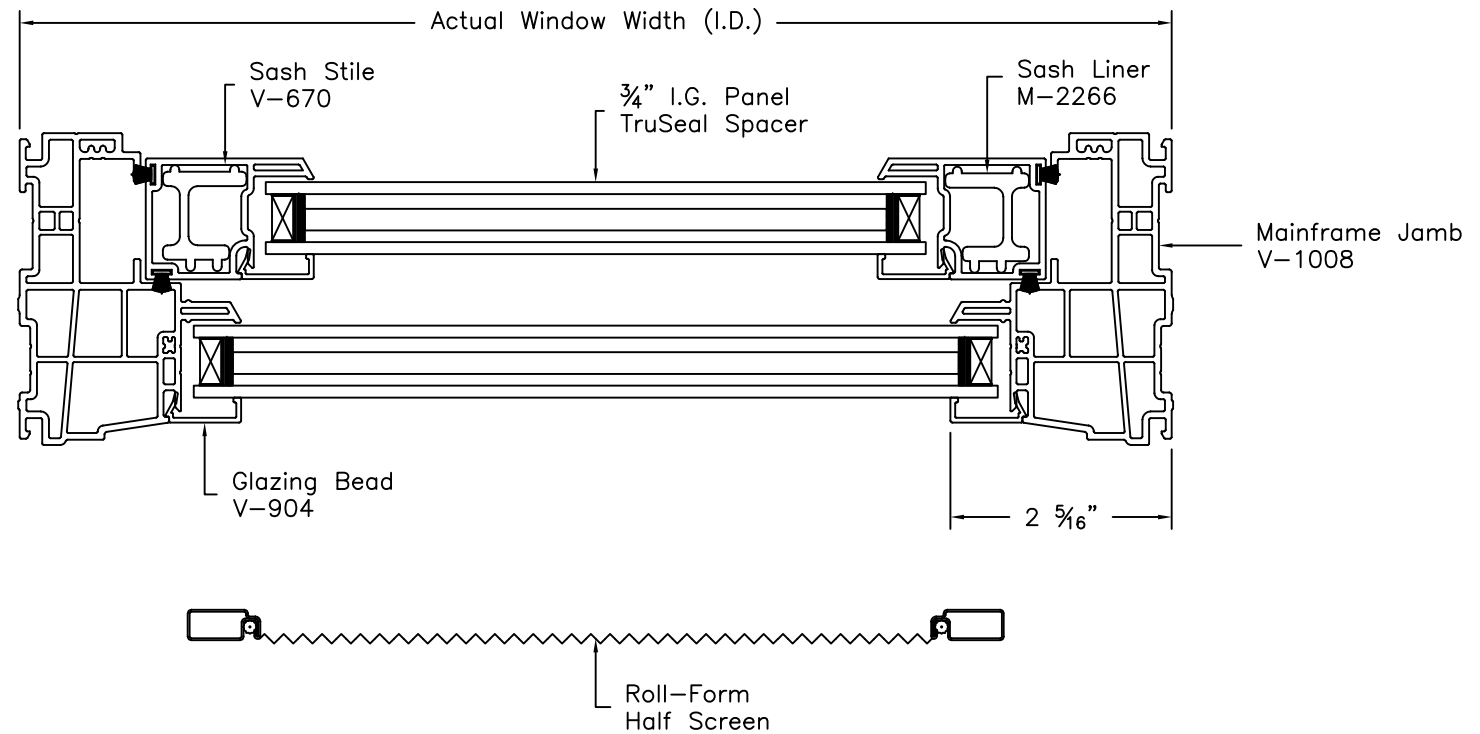
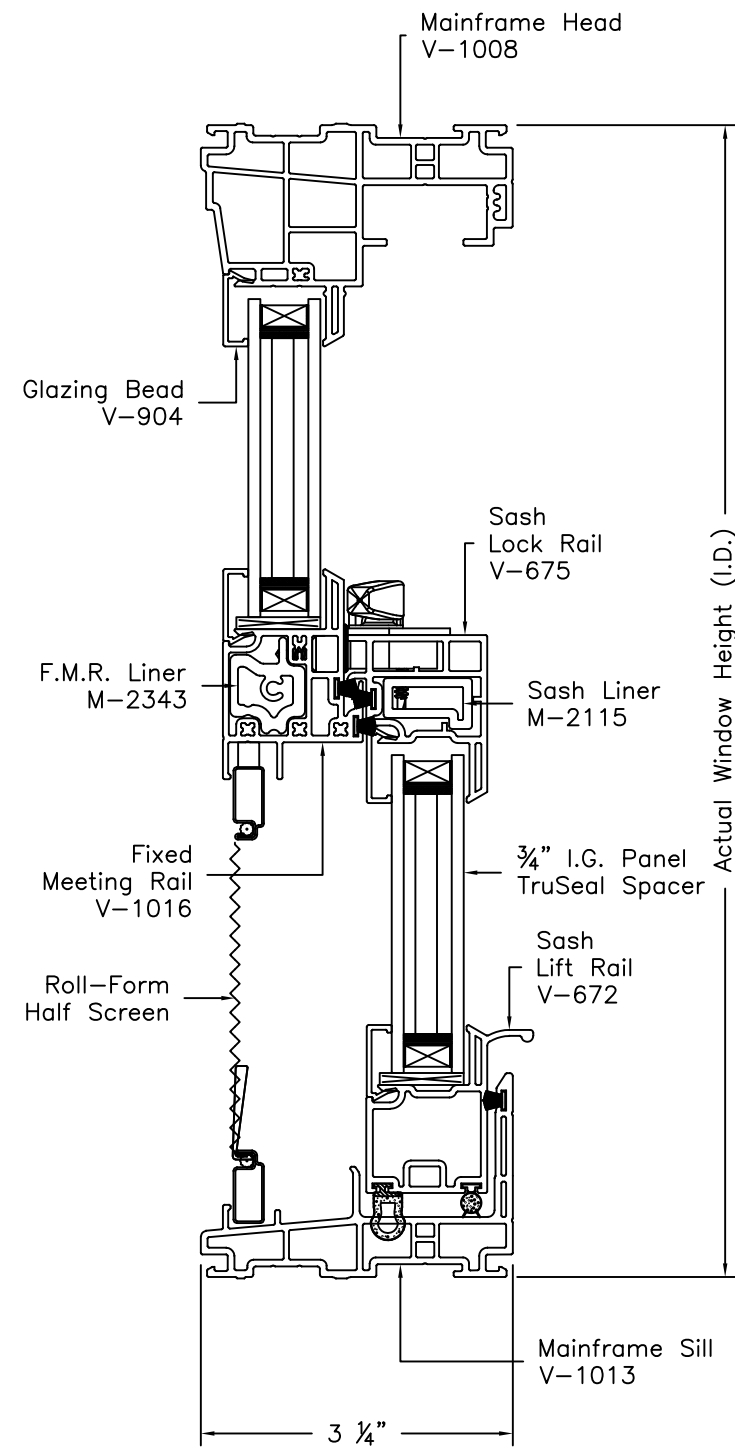
| | | |
|---|--------------|---------------------------|
|  | Report #: | L1782-109-47 |
| | Date: | 7/14/2020 |
| | Verified by: | <i>Andrew P. Melchior</i> |




intertek
Total Quality. Assured.

Report #: L1782-109-47
Date: 7/14/2020
Verified by: *Andrew P. Mahabed*

| | | | | | | | | |
|-----|-------|--|---------|-----------|--|--|--|----------------|
| | | | | MATERIAL: |  MI WINDOWS AND DOORS, LLC. 650 WEST MARKET STREET GRATZ, PA 17030-0370 | DESCRIPTION: 1620 Series Single Hung with Mounting Fin Mainframe | | |
| | | | | FINISH: | | UNSPECIFIED WALL: | PRODUCT: 1620 | DATE: 10/26/16 |
| | | | | AREA: | | BREAK ALL CORNERS R.015, UNLESS OTHERWISE SPECIFIED | The information, design or data shown on this document or electronic media is the exclusive property of MI Windows and Doors, LLC. It is considered confidential and proprietary and is made available for limited use only. Its use or reproduction without the expressed written consent of MI Windows and Doors, LLC., is prohibited. | |
| | | | | WEIGHT: | | | PERIMETER: | SCALE: 1:2 |
| A | | Added new lift exterior bulb and stile reinf | 1/12/17 | HAL | | DFTM: BRS | DRAWING NUMBER: CS-000392 | |
| LTR | ECN # | REVISIONS | DATE | BY | | | | |



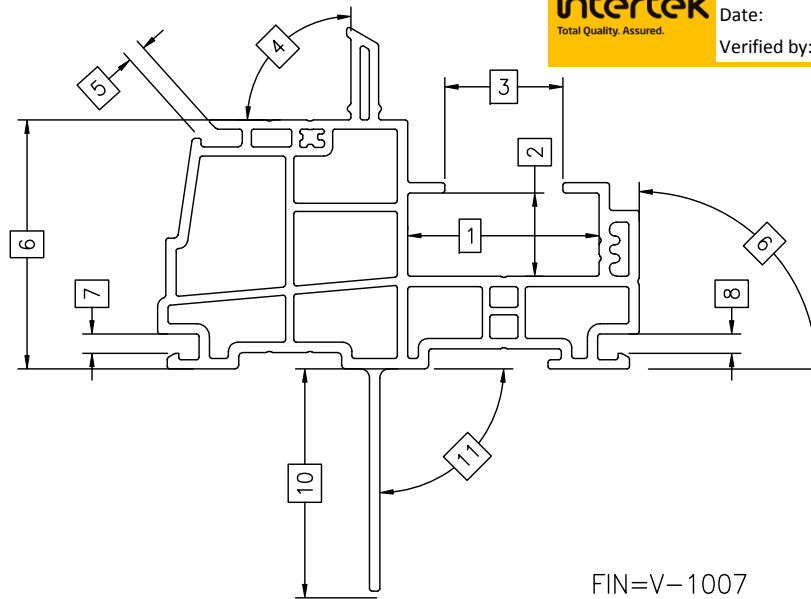
intertek Total Quality. Assured. Report #: L1782-109-47 Date: 7/14/2020 Verified by: *Adnan P. Mehabib*

| | | | | | | | | | |
|-----|-------|--|---------|------------|---|--|--|---------------------------|--|
| | | | | MATERIAL: | |  MI WINDOWS AND DOORS, LLC. 650 WEST MARKET STREET GRATZ, PA 17030-0370 | DESCRIPTION: 1620 Series Single Hung with Finless Mainframe | | |
| | | | | FINISH: | UNSPECIFIED WALL: | | PRODUCT: 1620 | DATE: 10/26/16 | |
| | | | | AREA: | BREAK ALL CORNERS R.015, UNLESS OTHERWISE SPECIFIED | | The information, design or data shown on this document or electronic media is the exclusive property of MI Windows and Doors, LLC. It is considered confidential and proprietary and is made available for limited use only. Its use or reproduction without the expressed written consent of MI Windows and Doors, LLC., is prohibited. | | |
| | | | | WEIGHT: | | | SCALE: 1:2 | PART NUMBER: | |
| | | | | PERIMETER: | | | DFTM: BRS | DRAWING NUMBER: CS-000393 | |
| A | | Added new lift exterior bulb and stile reinf | 1/12/17 | HAL | | | | | |
| LTR | ECN # | REVISIONS | DATE | BY | | | | | |

VINYL EXTRUSION CRITICAL DIMENSION SHEET


| 1 | 2 | 3 | 4 | 5 | 6 | 7 | 8 | 9 | 10 | 11 | 12 |
|------------------|------------------|------------------|----------------------|------------------|------------------|------------------|------------------|----------------------|------------------|------------------|-----------|
| 1.292 | .562 | .797 | 90 DEG | .122 | 1.680 | .130 | .130 | 90 DEG | 1.500 | 90 DEG | |
| +0.015 -0.015 | +0.015 -0.010 | +0.015 -0.015 | +0.5 DEG -0.5 DEG | +0.020 -0.010 | +0.010 -0.010 | +0.010 -0.010 | +0.010 -0.010 | +0.5 DEG -0.5 DEG | +0.020 -0.025 | +1 DEG -1 DEG | |
| | | | | | | | | | | | |
| 13 | 14 | 15 | 16 | 17 | 18 | 19 | 20 | 21 | 22 | 23 | 24 |
| | | | | | | | | | | | |
| | | | | | | | | | | | |
| | | | | | | | | | | | |

| | | |
|---|--------------|--------------------------|
|  | Report #: | L1782-109-47 |
| | Date: | 7/14/2020 |
| | Verified by: | <i>Andrew P. Mehalak</i> |



NOTES: TYPICAL WALL THICKNESS: .070 +.005 / -.005

SQUARENESS CRITICAL - USE GAUGE.
 BOW TOLERANCE - 1/2" ON 2 - 16' PIECES.

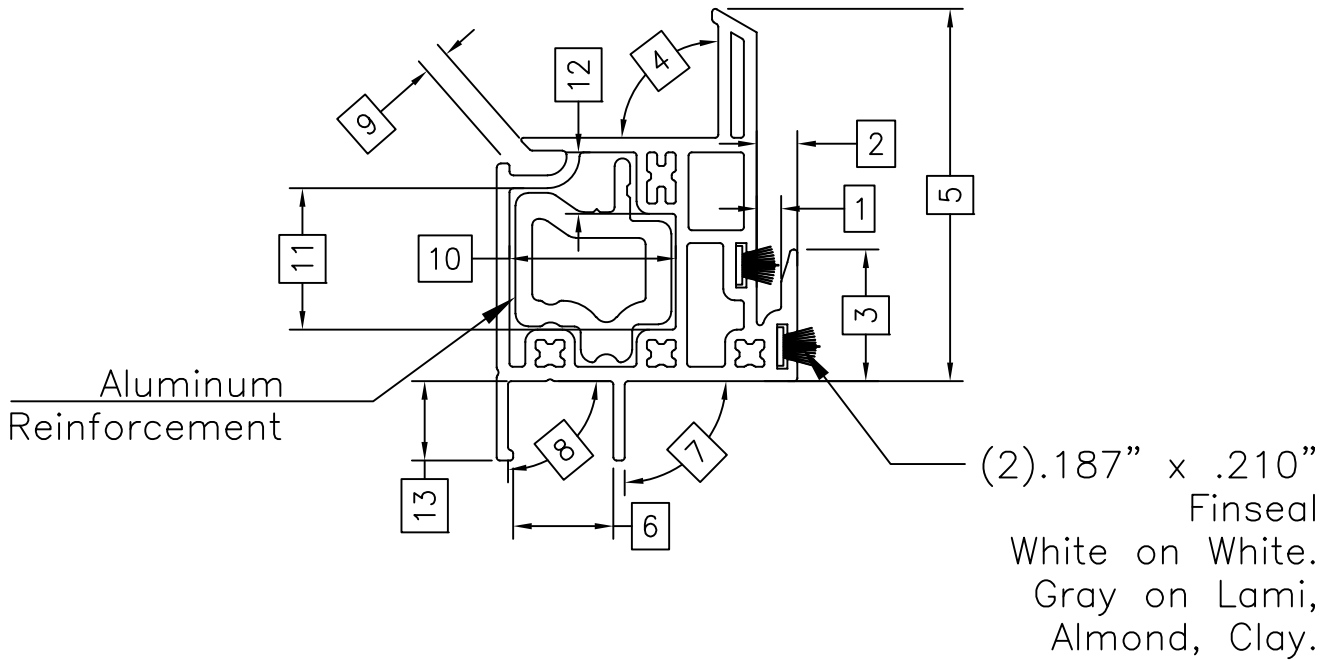
| | | | | | |
|--|--|--------------|--|---|--|
| | | | | | |
| | | | |  | |
| | | | | 650 WEST MARKET STREET GRATZ, PA 17030-0370 | |
| DESCRIPTION: 1620 Single Hung Main Frame (Fin Head/Jamb) | | | | | |
| DFTM: HAL | | DATE: 6/9/15 | | SCALE: 1 : 1 | |
| LTR | | | | PART #: V-1007 | |
| REVISIONS | | DATE | | DRAWING #: CD-000021 | |

VINYL EXTRUSION CRITICAL DIMENSION SHEET

| | | | | | | | | | | | |
|------------------|------------------|------------------|------------------|------------------|------------------|------------------|------------------|------------------|------------------|------------------|------------------|
| 1 | 2 | 3 | 4 | 5 | 6 | 7 | 8 | 9 | 10 | 11 | 12 |
| .119 | .197 | .638 | 90 DEG | 1.804 | .566 | 90 DEG | 90 DEG | .122 | .806 | .685 | .298 |
| +0.010 -0.010 | +0.010 -0.010 | +0.015 -0.015 | +5 DEG -5 DEG | +0.015 -0.015 | +0.010 -0.010 | +5 DEG -5 DEG | +5 DEG -5 DEG | +0.015 -0.010 | +0.025 -0.020 | +0.025 -0.015 | +0.015 -0.025 |
| 13 | 14 | 15 | 16 | 17 | 18 | 19 | 20 | 21 | 22 | 23 | 24 |
| .385 | | | | | | | | | | | |
| +0.020 -0.010 | | | | | | | | | | | |



Report #: L1782-109-47
 Date: 7/14/2020
 Verified by: *Andrew P. Mahabadi*



Fixed Meeting Rail=V-1016

NOTES: TYPICAL WALL THICKNESS: .062-.070+.005/-0.005
 SQUARENESS CRITICAL - USE GAUGE.
 BOW TOLERANCE - 1/2" ON 2 - 16' PIECES.



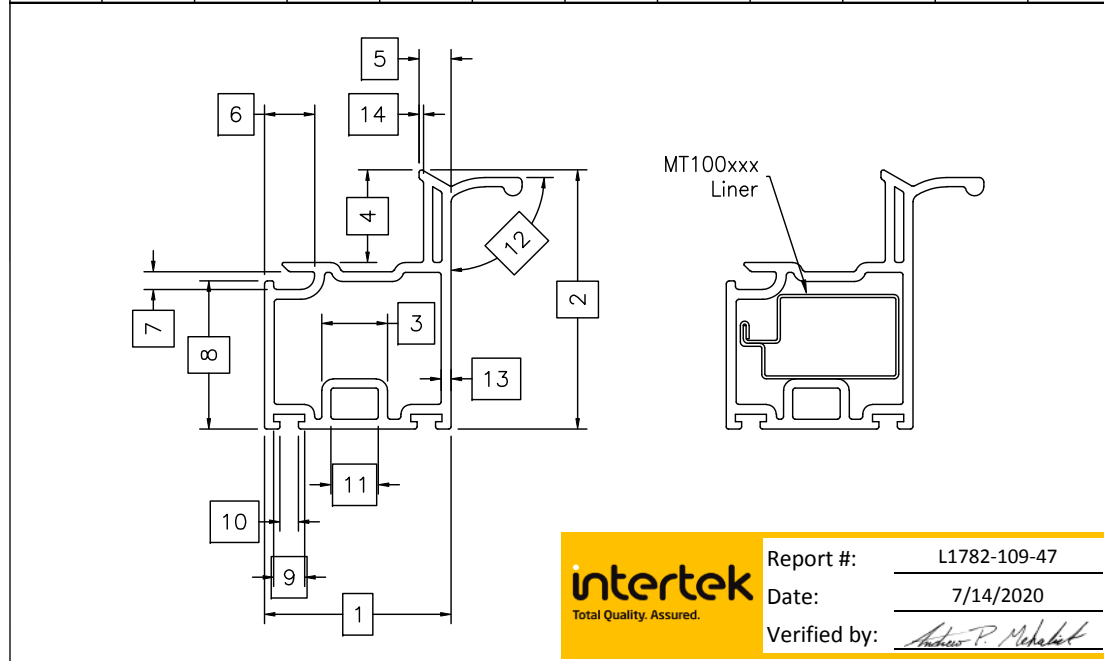
DESCRIPTION: 1620 Single Hung Fixed Meeting Rail
 1630 Single Slide Fixed Meeting Rail

DFTM: HAL DATE: 6/9/15 SCALE: 1 : 1

| | | | | | |
|-----|-----------|------|----|----------------|----------------------|
| LTR | REVISIONS | DATE | BY | PART #: V-1016 | DRAWING #: CD-000025 |
|-----|-----------|------|----|----------------|----------------------|

VINYL EXTRUSION CRITICAL DIMENSION SHEET

| | | | | | | | | | | | |
|------------------|------------------|------------------|------------------|------------------|------------------|------------------|------------------|------------------|------------------|------------------|------------|
| 1 | 2 | 3 | 4 | 5 | 6 | 7 | 8 | 9 | 10 | 11 | 12 |
| 1.260 | 1.750 | 0.444 | 0.625 | 0.216 | 0.340 | 0.120 | 1.001 | 0.210 | 0.125 | 0.320 | 90° |
| +0.010 -0.010 | +0.015 -0.015 | +0.010 -0.010 | +0.010 -0.010 | +0.010 -0.010 | +0.010 -0.010 | +0.010 -0.010 | +0.010 -0.010 | +0.010 -0.010 | +0.010 -0.010 | +0.015 -0.015 | +1' -1' |
| | | | | | | | | | | | |
| 13 | 14 | 15 | 16 | 17 | 18 | 19 | 20 | 21 | 22 | 23 | 24 |
| 0.067 | 0.030 | | | | | | | | | | |
| +0.005 -0.005 | +0.005 -0.005 | | | | | | | | | | |
| | | | | | | | | | | | |
| | | | | | | | | | | | |



| | | |
|-----------------------------|--------------|---------------------------|
| Total Quality. Assured. | Report #: | L1782-109-47 |
| | Date: | 7/14/2020 |
| | Verified by: | <i>Andrew P. Mahabadi</i> |

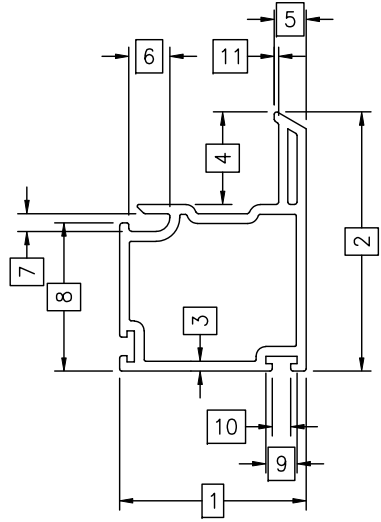
NOTES: Squareness 90° ±1' from glazing leg to latch cover side.
Bow tolerance - 2" on center of (2) 16' pieces.

TYPICAL WALL THICKNESS: 0.067 ±0.005

| | | | | | |
|-----|--|----------|-----|---|----------------|
| | | | | | |
| | | | | MI WINDOWS AND DOORS, LLC. 650 WEST MARKET STREET GRATZ, PA 17030-0370 | |
| | | | | DESCRIPTION: 1650 Double Hung Bottom Sash Lift Rail | |
| | | | | DFTM: VMR | DATE: 04/23/01 |
| | | | | | SCALE: 1:1 |
| | Updated title block and uploaded to Vault. | 08/26/16 | BRS | PART #: V-672 | |
| LTR | REVISIONS | DATE | BY | DRAWING #: CD-000077 | |

VINYL EXTRUSION CRITICAL DIMENSION SHEET

| | | | | | | | | | | | |
|------------------|------------------|------------------|------------------|------------------|------------------|------------------|------------------|------------------|------------------|------------------|-----------|
| 1 | 2 | 3 | 4 | 5 | 6 | 7 | 8 | 9 | 10 | 11 | 12 |
| 1.260 | 1.750 | 0.067 | 0.625 | 0.216 | 0.340 | 0.120 | 1.001 | 0.210 | 0.125 | 0.030 | |
| +0.010 -0.010 | +0.015 -0.015 | +0.005 -0.005 | +0.010 -0.010 | +0.010 -0.010 | +0.010 -0.010 | +0.010 -0.010 | +0.010 -0.010 | +0.010 -0.010 | +0.010 -0.010 | +0.005 -0.005 | |
| | | | | | | | | | | | |
| 13 | 14 | 15 | 16 | 17 | 18 | 19 | 20 | 21 | 22 | 23 | 24 |
| | | | | | | | | | | | |
| | | | | | | | | | | | |
| | | | | | | | | | | | |

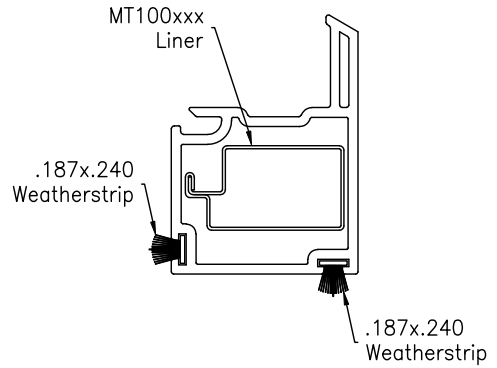


Total Quality. Assured.

Report #: L1782-109-47

Date: 7/14/2020

Verified by: *Andrew P. Mahabadi*



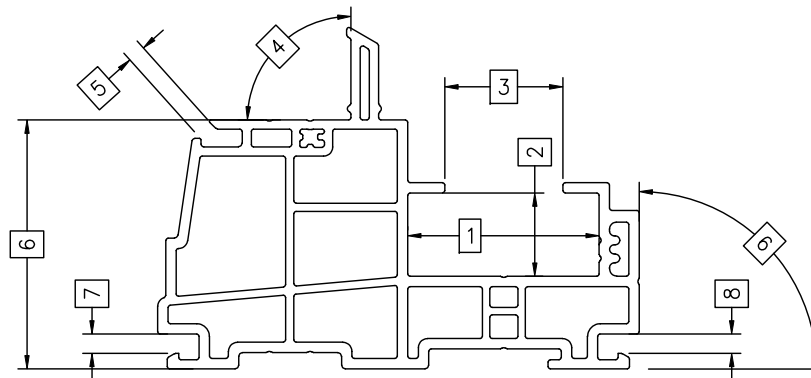
NOTES: Squareness 90° ±1' from glazing leg to latch cover side.
Bow tolerance - 2" on center of (2) 16' pieces.

TYPICAL WALL THICKNESS: 0.067 ±0.005

| | | | | | | | |
|-----|-----------|------|----|---------------|----------------------|--|----------------|
| | | | | | | | |
| | | | | | | MI MI WINDOWS AND DOORS, LLC. <small>650 WEST MARKET STREET GRATZ, PA 17030-0370</small> | |
| | | | | | | DESCRIPTION: 1650 Double Hung Bottom Sash Stile | |
| | | | | | | DFTM: VMR | DATE: 04/23/01 |
| | | | | | | SCALE: 1:1 | |
| | | | | | | Updated title block and uploaded to Vault. | |
| | | | | | 08/26/16 | BRS | |
| LTR | REVISIONS | DATE | BY | PART #: V-670 | DRAWING #: CD-000075 | | |

VINYL EXTRUSION CRITICAL DIMENSION SHEET

| 1 | 2 | 3 | 4 | 5 | 6 | 7 | 8 | 9 | 10 | 11 | 12 |
|------------------|------------------|------------------|------------------|------------------|------------------|------------------|------------------|------------------|-----------|-----------|-----------|
| 1.292 | .562 | .797 | 90 DEG | .122 | 1.680 | .130 | .130 | 90 DEG | | | |
| +0.015 -0.015 | +0.015 -0.010 | +0.015 -0.015 | +5 DEG -5 DEG | +0.020 -0.010 | +0.010 -0.010 | +0.010 -0.010 | +0.010 -0.010 | +5 DEG -5 DEG | | | |
| | | | | | | | | | | | |
| 13 | 14 | 15 | 16 | 17 | 18 | 19 | 20 | 21 | 22 | 23 | 24 |
| | | | | | | | | | | | |
| | | | | | | | | | | | |
| | | | | | | | | | | | |



| | |
|-----------------------------|--|
| Total Quality. Assured. | Report #: <u>L1782-109-47</u> |
| | Date: <u>7/14/2020</u> |
| | Verified by: <u>Andrew P. Mahabiet</u> |

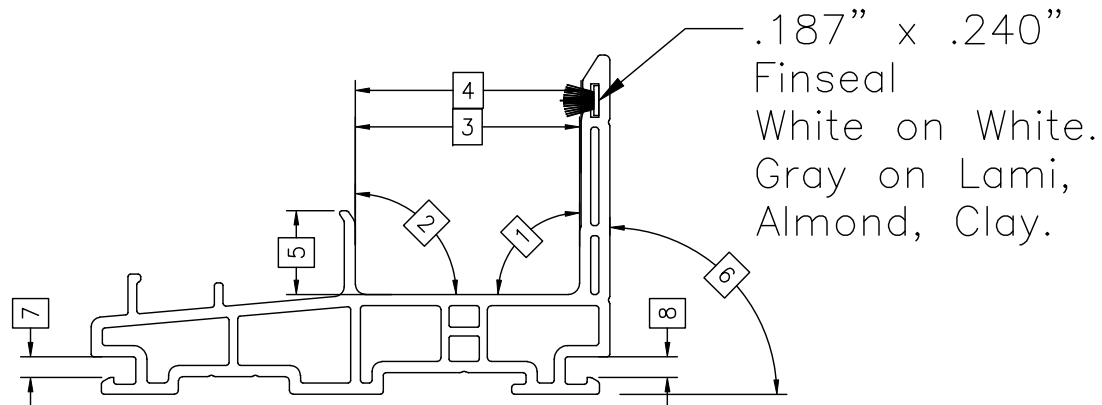
FINLESS=V-1008

NOTES: TYPICAL WALL THICKNESS: .070 +.005 / -.005
 SQUARENESS CRITICAL - USE GAUGE.
 BOW TOLERANCE - 1/2" ON 2 - 16' PIECES.

| | | | | | |
|---|--|--------------|--|--|--|
| | | | | | |
| | | | | MiND MI WINDOWS AND DOORS <small>650 WEST MARKET STREET GRATZ, PA 17030-0370</small> | |
| DESCRIPTION: 1620 Single Hung Main Frame (Finless Head/Jamb) | | | | | |
| DFTM: HAL | | DATE: 6/9/15 | | SCALE: 1 : 1 | |
| LTR | | | | PART #: V-1008 | |
| REVISIONS | | DATE | | DRAWING #: CD-000020 | |

VINYL EXTRUSION CRITICAL DIMENSION SHEET

| 1 | 2 | 3 | 4 | 5 | 6 | 7 | 8 | 9 | 10 | 11 | 12 |
|------------------|------------------|------------------|------------------|------------------|------------------|------------------|------------------|----|----|----|----|
| 90 DEG | 90 DEG | 1.415 | 1.405 | .525 | 90 DEG | .130 | .130 | | | | |
| +5 DEG -5 DEG | +5 DEG -5 DEG | +0.015 -0.015 | +0.015 -0.015 | +0.020 -0.020 | +5 DEG -5 DEG | +0.010 -0.010 | +0.010 -0.010 | | | | |
| | | | | | | | | | | | |
| | | | | | | | | | | | |
| 13 | 14 | 15 | 16 | 17 | 18 | 19 | 20 | 21 | 22 | 23 | 24 |
| | | | | | | | | | | | |
| | | | | | | | | | | | |
| | | | | | | | | | | | |



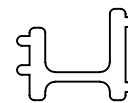
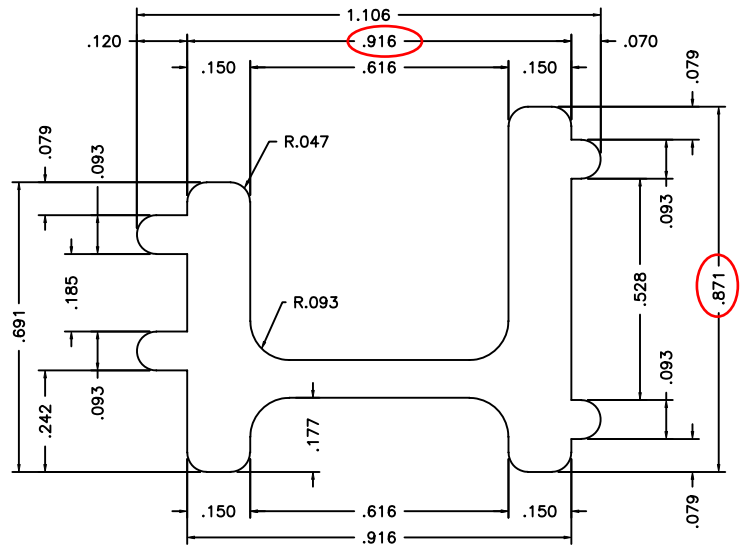
intertek
Total Quality. Assured.

Report #: L1782-109-47
Date: 7/14/2020
Verified by: *Andrew P. Mahabadi*

FINLESS=V-1013

NOTES: TYPICAL WALL THICKNESS: .070 +.005 / -.005
SQUARENESS CRITICAL - USE GAUGE.
BOW TOLERANCE - 1/2" ON 2 - 16' PIECES.


| | | | | | | | |
|-----|--|-----------|--|-----------|--|----------------|----------------------|
| | | | | | 650 WEST MARKET STREET GRATZ, PA 17030-0370 | | |
| | | | | | | | |
| | | | | | DESCRIPTION: 1620 Single Hung Main Frame (Finless) | | |
| | | | | DFTM: HAL | DATE: 6/9/15 | SCALE: 1 : 1 | |
| LTR | | REVISIONS | | DATE | BY | PART #: V-1013 | DRAWING #: CD-000019 |



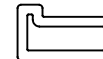
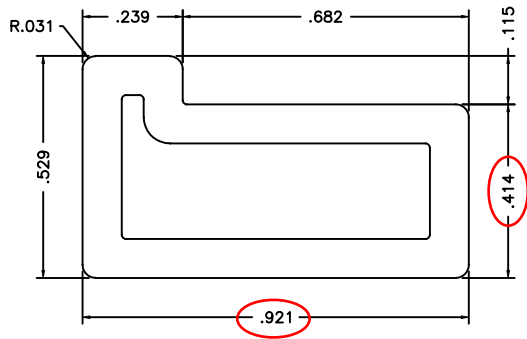
Actual Size

intertek
Total Quality. Assured.

Report #: L1782-109-47
Date: 7/14/2020
Verified by: *Andrew P. McHale*

| | | | | | | |
|-----|-------|----------------------------|---|---|---|---------------------------|
| | | MATERIAL: Aluminum 6063-T5 | |  MI MI WINDOWS AND DOORS, LLC. 650 WEST MARKET STREET GRATZ, PA 17030-0370 | DESCRIPTION: Sash Lift Rail/Stile Reinforcement | |
| | | FINISH: Mill | UNSPECIFIED WALL: 0.090 | | PRODUCT: 1620 | |
| | | AREA: 0.325 | BREAK ALL CORNERS R.015, UNLESS OTHERWISE SPECIFIED | | DATE: 07/16/09 | |
| | | WEIGHT: 0.390 | | | PERMETER: 5.057 | SCALE: 4:1 |
| LTR | ECN # | REVISIONS | DATE | BY | DFTM: VMR | DRAWING NUMBER: AE-000299 |


The information, design or data shown on this document or electronic media is the exclusive property of MI Windows and Doors, LLC. It is considered confidential and proprietary and is made available for limited use only. Its use or reproduction without the expressed written consent of MI Windows and Doors, LLC., is prohibited.



Actual Size

intertek
Total Quality. Assured.

Report #: L1782-109-47
Date: 7/14/2020
Verified by: *Andrew P. Mahabadi*

| | | | | | | |
|-----|-------|----------------------------|---|--|---|---|
| | | MATERIAL: Aluminum 6063-T5 | |  MI MI WINDOWS AND DOORS, LLC. <small>650 WEST MARKET STREET GRATZ, PA 17030-0370</small> | DESCRIPTION: Sash Lock Rail Reinforcement | |
| | | FINISH: Mill | UNSPECIFIED WALL: 0.093 | | PRODUCT: 1620 | |
| | | AREA: 0.234 | BREAK ALL CORNERS R.015, UNLESS OTHERWISE SPECIFIED | | DATE: 06/19/06 | |
| | | WEIGHT: 0.281 | | | SCALE: 4:1 | |
| LTR | ECN # | REVISIONS | DATE | BY | PERIMETER: 4.937 | PART NUMBER: M-2115 DFTM: BRS DRAWING NUMBER: AE-000298 |

The information, design or data shown on this document or electronic media is the exclusive property of MI Windows and Doors, LLC. It is considered confidential and proprietary and is made available for limited use only. Its use or reproduction without the expressed written consent of MI Windows and Doors, LLC., is prohibited.